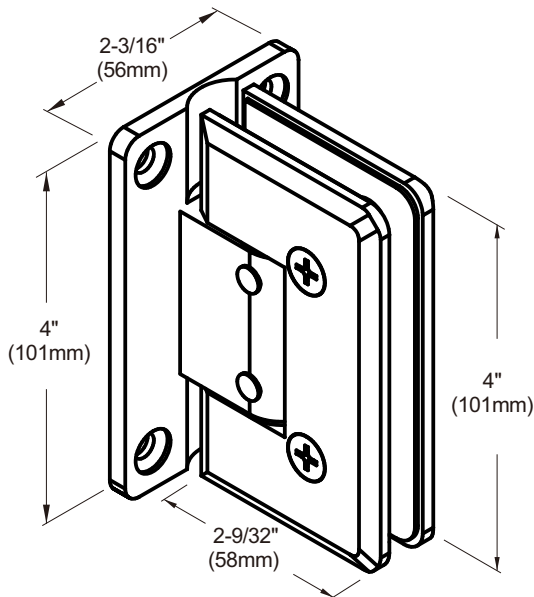




www.forgetools.net



Crown

Code NO. **CRN148**

Wall Mount Hinge - Full Back Plate
(Adjustable)

Important Information:

This hinge contains a dual degree pivot pin. The pivot pin is set for normal door closing position. You have the option of altering the closing position of the door 5 degrees inward by utilizing the opposite side of the pivot pin, which has been pre-machined. Special order custom pivot pins are available that can be machined at any angle up to 45 degrees.

Specifications:

Glass Sizes: 3/8" (10mm) to 1/2" (12mm) thick tempered safety glass

Construction: Solid brass

Closing Type: Self-centering when within 15° of closed position
Cutout Required

Includes: Gaskets, screws and template

Maximum Door Capacities for Two Hinges or Three Hinges:

Maximum Door Weight: 110 lbs.(50kg) 140 lbs.(63kg)

Maximum Door Width: 36"(914mm) 36"(914mm)

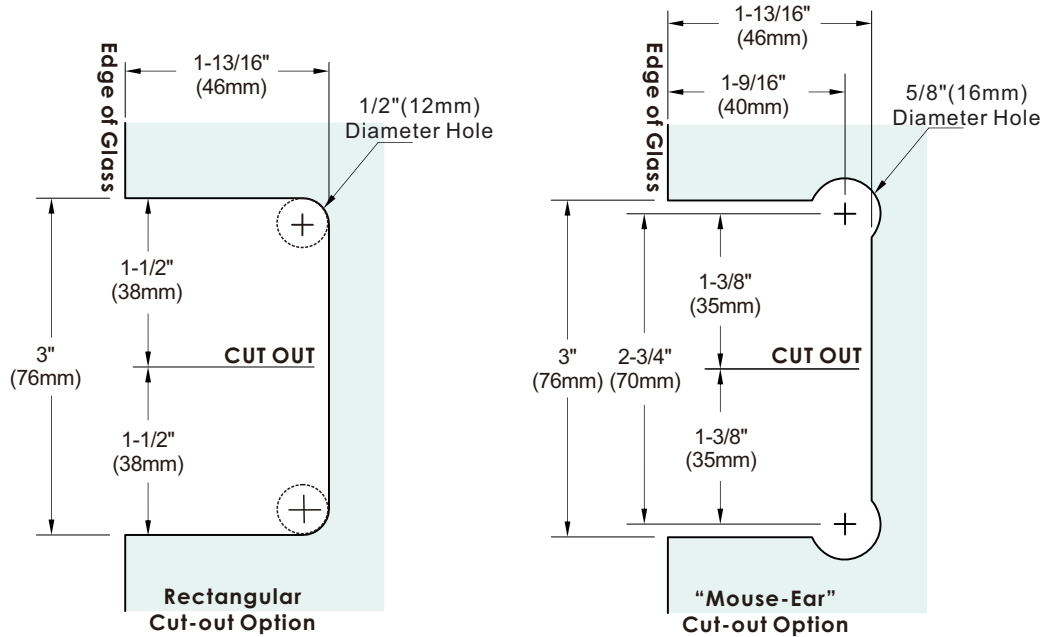
Use of Gaskets:

For 3/8" (10mm) Glass: Use one thick gasket on each side

For 1/2" (12mm) Glass: Use one thick gasket on each side



www.forgetools.net



Glass Cutout

IMPORTANT: Project measurements from the edge of the glass.

Crown

Code NO. **CRN148**

Wall Mount Hinge - Full Back Plate
(Adjustable)

Contact information: +1 (702) 279-3722

Email: info@forgetools.net www.forgetools.net