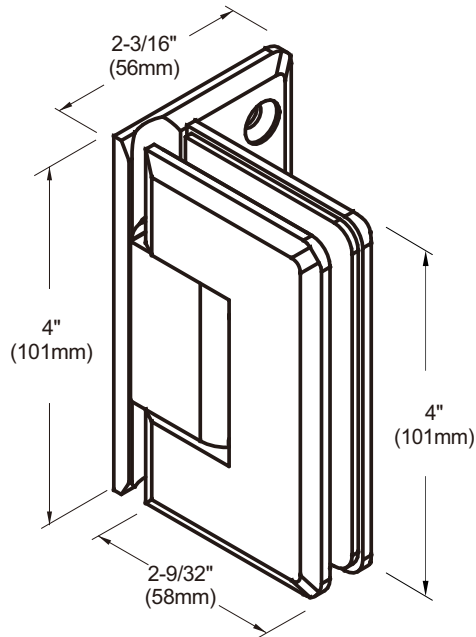




**FORGE TOOLS AND HARDWARE**  
www.forgetools.net



Code NO. **CRN155**

Beveled Wall Mount Hinge - Offset Back Plate

### Important Information:

This hinge contains a dual degree pivot pin. The pivot pin is set for normal door closing position. You have the option of altering the closing position of the door 5 degrees inward by utilizing the opposite side of the pivot pin, which has been pre-machined. Special order custom pivot pins are available that can be machined at any angle up to 45 degrees.

### Specifications:

**Glass Sizes:** 3/8" (10mm) to 1/2" (12mm) thick tempered safety glass

**Construction:** Solid brass

**Closing Type:** Self-centering when within 15° of closed position  
Cutout Required

**Includes:** Gaskets, screws and template

### Maximum Door Capacities for Two Hinges or Three Hinges:

**Maximum Door Weight:** 100 lbs.(45kg) 130 lbs.(59kg)

**Maximum Door Width:** 34"(863mm) 34"(863mm)

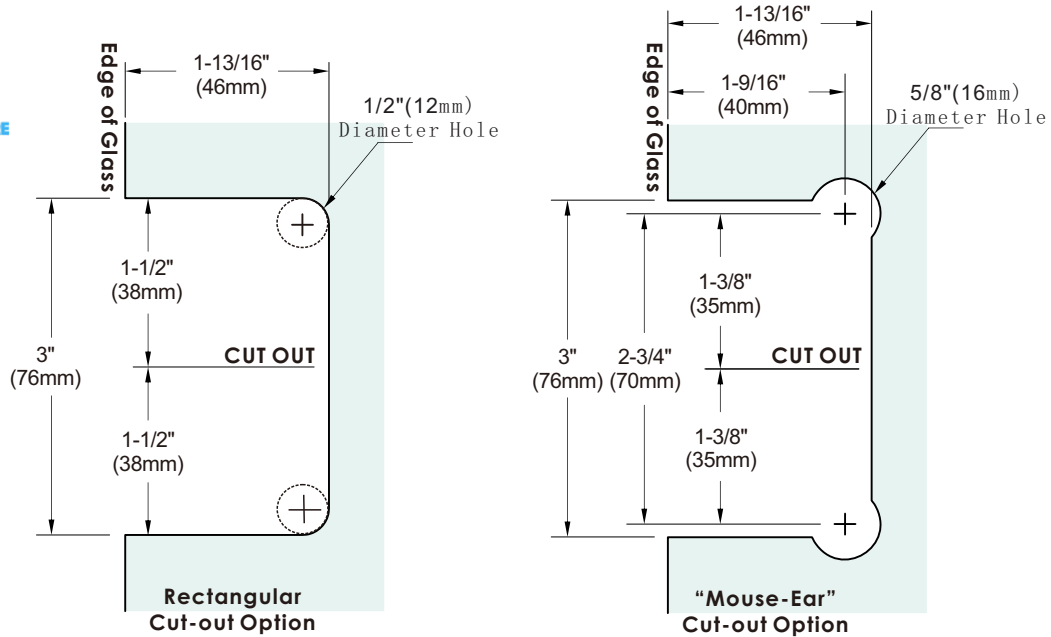
### Use of Gaskets:

**For 3/8" (10mm) Glass:** Use one thick gasket on each side

**For 1/2" (12mm) Glass:** Use one thick gasket on each side



**FORGE TOOLS AND HARDWARE**  
www.forgetools.net



### Glass Cutout

**IMPORTANT: Project measurements from the edge of the glass.**

Code NO. **CRN155**

Beveled Wall Mount Hinge - Offset Back Plate

Contact information: +1 (702) 279-3722

Email: info@forgetools.net

www.forgetools.net