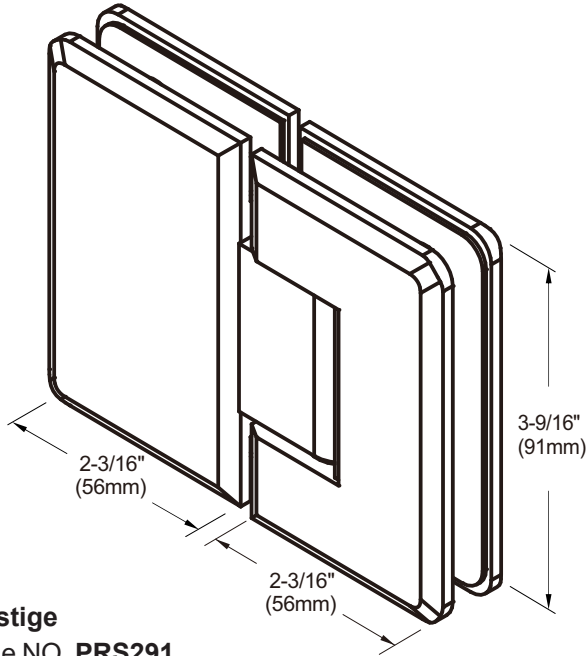




FORGE TOOLS AND HARDWARE
www.forgetools.net



Prestige
Code NO. **PRS291**
Glass to Glass 180 Degree

Important Information:

This hinge contains a dual degree pivot pin. The pivot pin is set for normal door closing position. You have the option of altering the closing position of the door 5 degrees inward by utilizing the opposite side of the pivot pin, which has been pre-machined. Special order custom pivot pins are available that can be machined at any angle up to 45 degrees.

Specifications:

Glass Sizes: 3/8" (10mm) to 1/2" (12mm) thick tempered safety glass

Construction: Solid brass

Closing Type: Self-centering when within 15° of closed position
Cutout Required

Includes: Gaskets, screws and template

Maximum Door Capacities for Two Hinges or Three Hinges:

Maximum Door Weight: 80 lbs.(36kg) 120 lbs.(54kg)

Maximum Door Width: 28"(711mm) 32"(813mm)

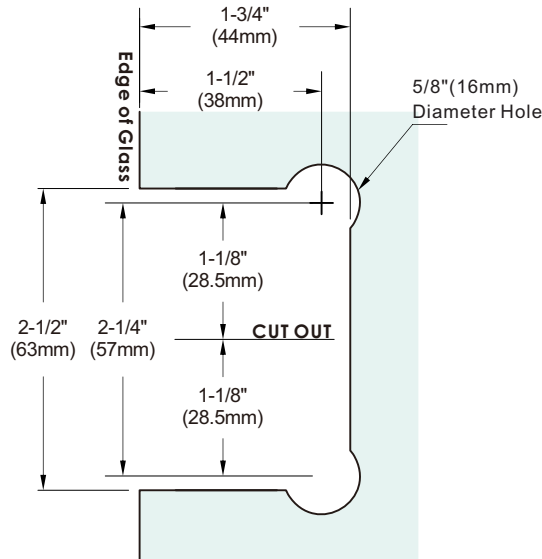
Use of Gaskets:

For 3/8" (10mm) Glass: Use one thick gasket on each side

For 1/2" (12mm) Glass: Use one thick gasket on each side



FORGE TOOLS AND HARDWARE
www.forgetools.net



Glass Cutout

IMPORTANT: Project measurements from the edge of the glass.

Prestige

Code NO. **PRS291**

Glass to Glass 180 Degree

Contact information: +1 (702) 279-3722

Email: info@forgetools.net

www.forgetools.net