



FORGE TOOLS AND HARDWARE

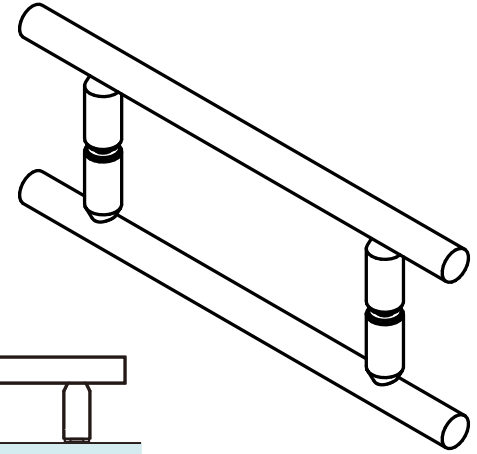
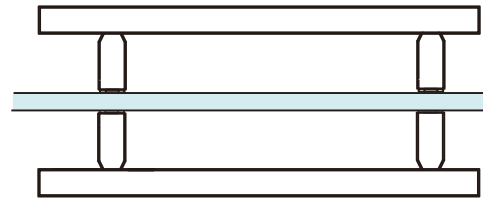
www.forgetools.net

SPECIFICATIONS

All Holes Are 1/2" (12mm) Diameter
All Measurements Are Center-To-Center
Appropriate Clear Gaskets Included
Fits 1/4" (6mm) to 1/2" (12mm) Glass

Pull Handles

Code NO. **HLP8x8 / HLP12x12 / HLP18x18 /
HLP24x24**



Contact information: +1 (702) 279-3722

Email: info@forgetools.net

www.forgetools.net