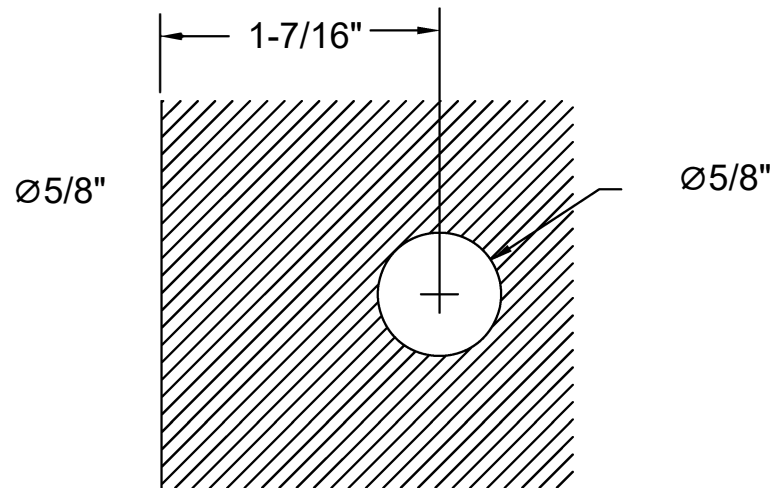


glass hole A



glass hole B

